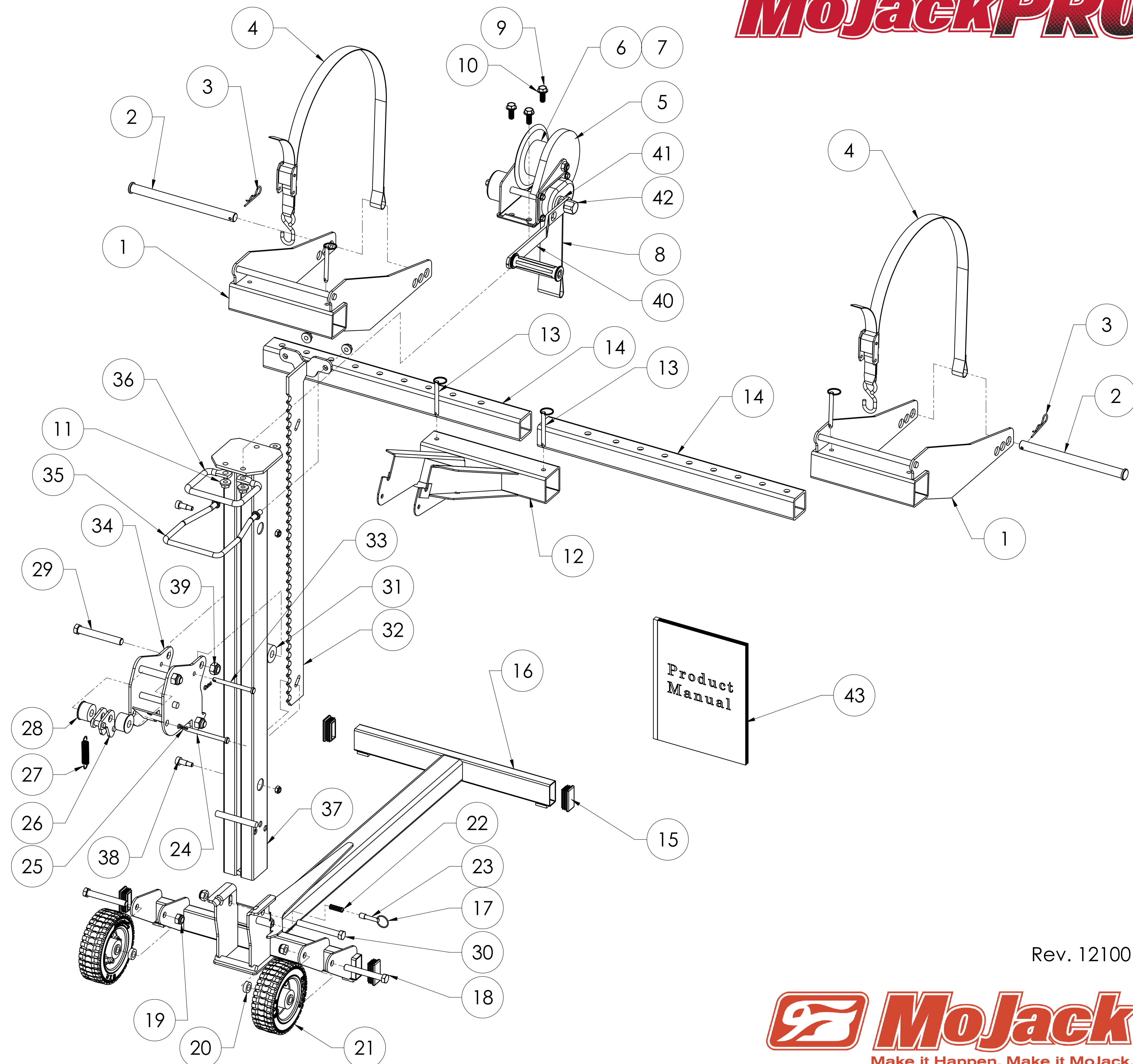


Part Number	PRO Part Description	Qty. Per Unit
MJPRO-1	Wheel Pad	2
MJPRO-2	Wheel Pad Support Rods	2
MJPRO-3*	Large Hair Pins-R Pins (for support rods)	2
MJPRO-4	Safety Straps	2
MJPRO-5	Winch	1
MJPRO-6	Winch Strap Plate-Not Servicable	1
MJPRO-7	Hex Bolts M6 x 12 for Plate-Not Servicable	2
MJPRO-8	Lift Strap for Winch	1
MJPRO-9*	Cap Screw (Hex Bolt) M10-1.5 x 30 (Winch)	3
MJPRO-10*	Flat Washer 10 mm - For Winch Bolt	3
MJPRO-11*	Nylock Nut M10 for Winch Bolt	3
MJPRO-12	Lift Arm-Not Servicable	1
MJPRO-13*	Clevis/Push Pin with key ring	4
MJPRO-14	Lift Arm Tube / Inserts-Not Servicable	2
MJPRO-15	Base End Caps (5 x 25)	4
MJPRO-16	Base-Not Servicable	1
MJPRO-17	Key Ring	5
MJPRO-18*	Hex Bolt (Cap Screw) M12-1.75 x 85 for wheel	2
MJPRO-19*	Nylock Nut M12 (wheel & base to tower bolts)	3
MJPRO-20	Spacer for wheel bolts-Not Servicable	2
MJPRO-21	Wheel 150 x 53 x 12.5	2
MJPRO-22	Spring B for base locking pin	1
MJPRO-23	Base Locking Pin (B)	1
MJPRO-24*	Carrier/Lift Arm Clevis Pin I	1
MJPRO-25*	Small Hair Pin (R pin for Carrier Clevis Pin)	1
MJPRO-26	Ratchet Lock Weld Plate-Not Servicable	1
MJPRO-27	Ratchet Lock Weld Plate Spring-Not	1
MJPRO-28	Front Carriage Roller B	2
MJPRO-29*	Hex Bolt (Cap Screw) M14-2.0 x 100 (Strap Bolt)	1
MJPRO-30*	Hex Bolt (Cap Screw) M12-1.75 x 95 for Base	1
MJPRO-31	Rear Carriage Roller A	1
MJPRO-32	Rack (Ratchet)-Not Servicable	1
MJPRO-33	Carrier Clevis Pin-Not Servicable	1
MJPRO-34	Carrier Plate-Not Servicable	1
MJPRO-35	Ratchet Release Handle	1
MJPRO-36	Grip Handle	1
MJPRO-37	Tower-Not Servicable	1
MJPRO-38	Ratchet Hex Bolt M10 x 25-Not Servicable	2
MJPRO-39	Nylock Nut M14-2.0 (for strap Bolt)	1
MJPRO-40	Winch Handle	1
MJPRO-41*	Winch Handle Washer 12 mm	1
MJPRO-42*	Winch Handle Nylock Nut M12-1.75	1
MJPRO-43	Product Manual	1
MJPRO-44	Hardware List Kit	1



* Indicates items in Hardware Kit

Rev. 121001